

178701

ZP755WV-2R Weatherproof Sounder/VID (RED)

General

The ZP755WV-2R is an addressable, weatherproof sounder/beacon, designed for use on ZP addressable fire detection and alarm systems. The device is developed for outdoor applications.

Installed directly onto and powered by the ZP wiring loop, the ZP755 range enables the system designer to offer a complete ZP addressable system on a single pair of wires. Installation costs are greatly reduced, whilst system integrity, sounder options and programmed alarm organisation are significantly increased.

High efficiency, low energy design

High efficiency acoustic design, low energy sound gun transducer and low current Light Emitting Diode (LED) visual element, enables up to 24 sounder beacons to be connected to a one kilometer loop of 1.5 mm² cable, with a wiring run of 50 m to the first device.

In systems where loop lengths or current requirements are excessive, ZP755WV-2R sounder beacons can be powered directly from an external power supply.

Range of sound outputs

Continuous, intermittent and two-tone audible outputs are available from which any combination can be chosen to provide alert and evacuate, two stage alarms. All sound types comply with most local codes (for example BS 5839 Part 1 recommended frequencies in the UK). The ZP755WV-2R produces a sound output of 95 dBA, measured at 1 m. A volume control is included for areas where a reduced sound output is required.

Molded in high impact red thermoplastic, the sounder beacon features a red lens.



Details

- Weatherproof
- Sounder with visual indicator in a single unit
- High sound output
- Low current LED based visual element
- High efficiency sound gun transducer
- Up to 30 devices powered directly from loop wiring
- EN54:3 approved and CPR certified

178701

ZP755WV-2R Weatherproof Sounder/VID (RED)

Technical specifications

General

Compatibility	ZP7 Series Systems
Line monitoring	Open/short circuit
Devices per loop	<30 (1 km loop of 1.5 mm ² cable, 50 m to first device)
Addressing method	7 way dip switch
Monitoring	Sound output, removal, device type

Electrical

Operating voltage	Loop 19.5 to 20.5 V External 18 - 30 VDC max. 4 V line loss
Current consumption	<820 μ A (Quiescent - when loop powered) <9.6 mA (Active - when loop powered) <470 μ A (Quiescent - when externally powered) <500 μ A (Active - when externally powered)

Sounder

Output level	<90 dB(A) (Tone dependent)
Frequency	980 Hz (continuous) 980 Hz (0.5 sec on/off) 980/670 Hz (warble)
Selectable tones	User configurable
Synchronization	Automatic

VID

Colour	Red
Rating	1 J
Flash frequency	0.8 Hz 48 flashes/min
Synchronization	Automatic
Light source	Red LED array

Physical

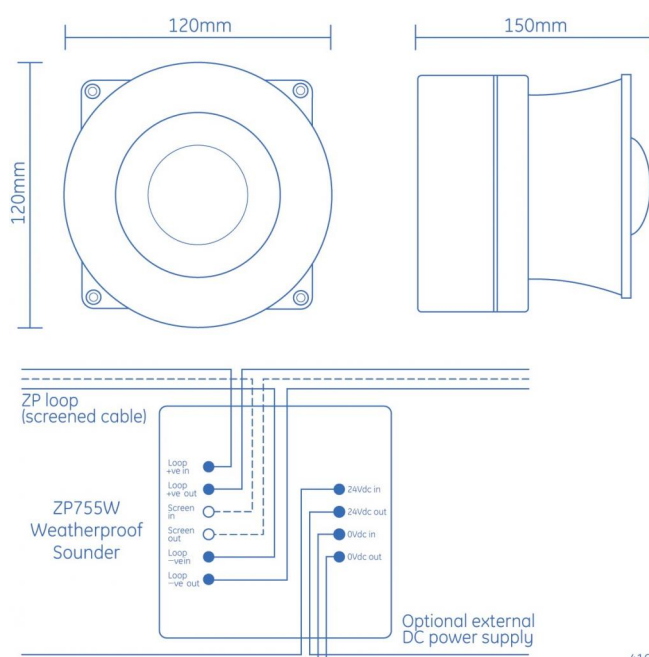
Physical dimensions	120 x 150 mm (Ø x H)
Net weight	300 g
Colour	Red
Mounting type	Surface mount
Mounting position	Ceiling, Wall
Material	Moulded thermoplastic
Wiring	2 core loop

Environmental

Vandal proof	No
Operating temperature	-25 to +70°C
Storage temperature	-25 to +70°C
Relative humidity	10 to 95% noncondensing
Environment	Outdoor
IP rating	IP33C

Standards & regulation

Compliance	CE, REACH, RoHS 2
Certification	CPR
Standards	EN54-3



4162-01

As a company of innovation, UTC Fire & Security reserves the right to change product specifications without notice. For the latest product specifications, visit UTC Fire & Security online or contact your sales representative.

Last updated on 27 May 2020 - 13:24

