

The RIU unit is used to give a remote indication of the status of a single or groups of fire detectors in alarm state utilising an LED with a wide area of illumination and high on/off contrast.

The units are compatible with the majority of conventional and addressable systems and can also be used for security and process control applications.

The standard version is a single gang flush mount unit, with or without 'Fire Detector Operated' text and also available with a deep back box for surface mounting.

- direct fit to a single gang deep back box
- circular flush mounted version available without text
- text is available in other languages
- custom legend available on request
- IP66 weatherproof version available



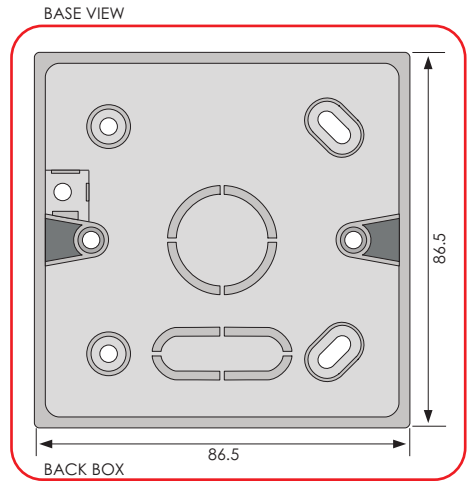
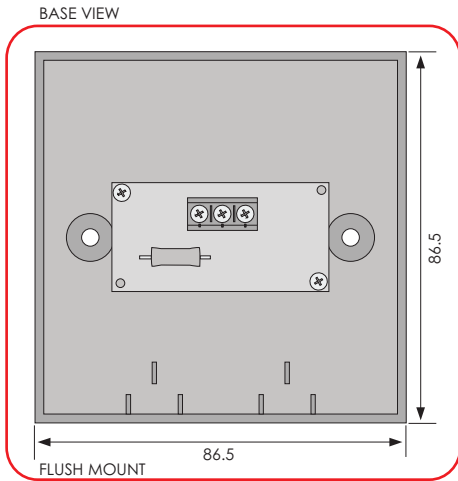
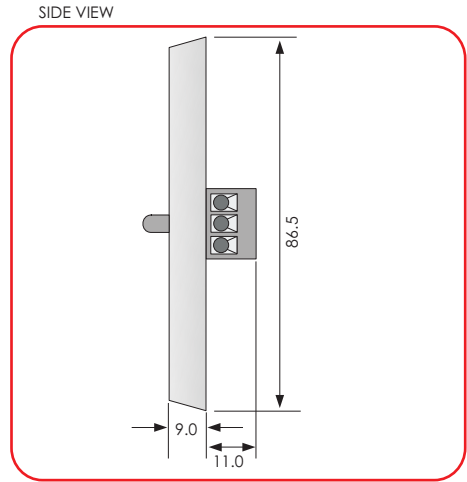
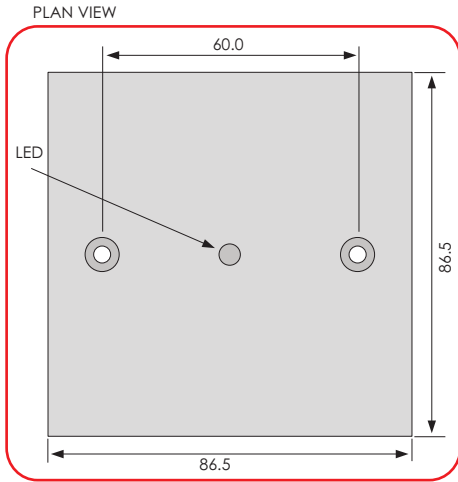
TECHNICAL

type	flush mount	surface mount	circular	weatherproof
voltage range (Vdc)			5 - 28	
nominal current consumption (mA)			24	
protection rating	IP24	IP24	IP24	IP66
boxed weight (kg)	0.038	0.095	0.117	0.475
colours available		white (ABS fire retardant plastic)		

ORDERING INFORMATION

blank, single gang, flush	502-001
blank, single gang, surface	502-002
black, circular, flush	502-005
'Fire Detector Operated' text, single gang, flush	502-003
'Fire Detector Operated' text, single gang, surface	502-004
'Fire Detector Operated' text, single gang, surface	502-011

DIMENSIONS, PRODUCT MOUNTING & CABLE ENTRY



WIRING CONFIGURATION

