

## Single Loop Fire Alarm Control Panel

The new Go series is an evolution for non-networked single-loop fire alarm systems. Its innovative design includes several improvements and upgrades to critical safety features, while retaining all the benefits and user-friendly operation of an Advanced fire alarm control panel.

A new ergonomic layout of control panel is combined with our high resolution, high contrast, graphical LCD display. The tactile keypad allows simple select-and-click programming for faster engineer configuration and simple end-user operation.

Two performance options are available with a different maximum number of configurable addresses, allowing greater flexibility for site-specific installations: Go and Go+.

Maximum addresses	Apollo (Discovery, XP95)	Hochiki (ESP)	Argus (VEGA)
Go	50	50	50
Go+	126	127	240

Functional improvements include integral zonal LEDs which enable instant identification of alarm locations, and ensure compliance with BS5839 without the cost of a separate LED zone card.

The new PCB integrates both control panel and peripherals on the same board and incorporates the latest high-speed micro-processor technology, for 9 times faster operation than MxPro 4.

Powerful cause-and-effect programming and enhanced trace diagnostics make the panel suitable for a wide range of site applications, from small to medium systems.

All Go series panels are fully programmable on site via the control panel display or with our updated, easy-to-use PC Configuration Tool.



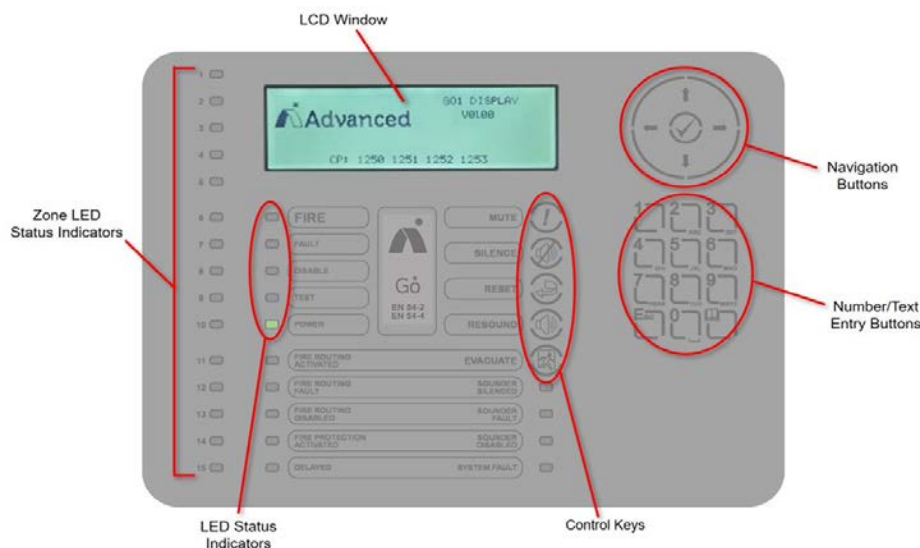
### Listings and Approvals

- EN54-2 (1997) +A1:2006
- EN54-4 (1997) +A1:2002 +A1:2006
- Certified to EN54 Parts 2 and 4 by FM Approvals

### Features and Benefits

- Multiprotocol support, Apollo (Discovery, XP95), Hochiki (ESP) & Argus (VEGA)
- Graphical LCD user interface, LED indicators & push buttons
- Installer-friendly Auto-learn, Loop detection and On-board scope facility
- 500 fire + 5000 general event logging, with advanced diagnostic precision to aid installation & fault-finding
- Integral 15 Zone LEDs ensures compliance with BS5839, with 35 additional software indication zones
- Uses a new Configuration Tool with Office365 appearance with better graphics and easier functions for programming
- Two on-board Sounder outputs, three on-board Relay outputs
- Optional 3 monitored input/outputs for Fire/Fault routing (with P-Bus adaptor & routing card) for full EN54 compliance when connected to an Alarm Receiving Centre
- Dedicated USB Type B port for direct PC connection
- Future ethernet connectivity to AdvancedLive, which will provide remote notification and panel management
- Innovative 'no hinge' removable door and hangable chassis for easier installation
- Employing an identical monitoring feature as the Mx-5000 series, the Go series meets the requirements of EN54-13 (2005) Clauses 5.3.4.1 and 5.3.4.2 (partial open & short circuits) for optimal fire system performance and complete peace of mind

## Advanced User Interface with Graphical LCD



Designed to be user-friendly and easy to operate, the Advanced User Interface with Graphical LCD is the information and control centre for the Go Series Fire Alarm Control Panel.

This interface enables complete system status, interrogation and control via

- Backlit 240x64 pixel digital display
- 5 LED status indicators
- 5 Control buttons
- Arrow Navigation and Select buttons
- 12-button alpha-numeric keypad

### Buttons (Keys)

	<b>MUTE</b> Press to mute the internal buzzer.
	<b>SILENCE</b> Press to silence the sounders.
	<b>RESET</b> Press to reset the panel from a fire alarm or latched fault condition.
	<b>RESOUND</b> Press to re-activate the sounders.
	<b>EVACUATE</b> Press to initiate a manual evacuation and sound the alarms.

### LED Indicators

<b>FIRE</b>	Red
<b>FAULT</b>	Yellow
<b>DISABLE</b>	Yellow
<b>TEST</b>	Yellow
<b>POWER</b>	Green
<b>FIRE ROUTING ACTIVATED</b>	Red
<b>FIRE ROUTING FAULT</b>	Yellow
<b>FIRE ROUTING DISABLED</b>	Yellow
<b>DELAYED</b>	Yellow
<b>FIRE PROTECTION ACTIVATED</b>	Red
<b>SOUNDER SILENCED</b>	Yellow
<b>SOUNDER FAULT</b>	Yellow
<b>SOUNDER DISABLED</b>	Yellow
<b>SYSTEM FAULT</b>	Yellow

### Order Codes and Options

<b>Go</b>	Go1	1 loop fire panel - Grey (Apollo/Hochiki: 50 addresses)
	Go1V	1 loop fire panel - Grey (Argus Vega: 50 addresses)
<b>Go+</b>	Go1+	1 loop fire panel - Grey (Apollo/Hochiki: 126/127 addresses)
	Go1V+	1 loop fire panel - Grey (Argus Vega: 240 addresses)
<b>Options</b>	GOP-001	PBUS Adaptor Card
	GOP-002	Access Enable Key Switch Assembly
	MXP-532	Routing/Protection Interface
	MXP-506	Routing Termination Card

## Technical Specifications

### PERFORMANCE

<b>Protocols</b>	Apollo (XP95, Discovery), Hochiki (ESP), Argus (VEGA)
<b>Number of Loops</b>	1
<b>Loop Current</b> <sup>1</sup>	500mA max
<b>Number of Fire Zones</b>	50 max
<b>Sounder Outputs</b> <sup>1</sup>	2 x 1A Programmable (1A total)
<b>Relay Outputs (Programmable)</b>	3 x 1A 30VAC/DC (max) to 10mA 5V (min)
<b>Auxiliary Output</b> <sup>1,2</sup>	24V DC, 100mA (With GOP-001 Fitted)
<b>Display</b>	LCD White backlit 240 x 64 Graphical LCD
<b>Programmable Inputs</b>	1 x Key Switch, 1 x monitored
<b>USB</b>	USB type B interface for PC connection
<b>Network</b>	None
<b>Ethernet</b>	10-Base-T, 100-Base-T
<b>Event Log</b>	5000 Events with Diagnostics + 500 Fire Events

### INSTALLATION

<b>Enclosure</b>	Steel IP30 RAL7035
<b>Dimensions H x W x D mm</b>	345 x 345 x 87
<b>Weight (excluding batteries)</b>	4Kg
<b>Temperature Range</b>	-5°C to 40°C
<b>Humidity (RH)</b>	95% max
<b>Cable Entries</b>	14 x 20mm knockouts at top
<b>AC Supply</b>	220-240V, 50 – 60 Hz, 1.0A max
<b>Safety</b>	EN62368-1, Class 1, Pollution Degree 2, Overvoltage Category II
<b>Battery Capacity</b>	24V 4Ah Internal (min), 24V 7Ah Internal (max)
<b>Charging Current</b>	0.35A Temp Compensated
<b>Deep Discharge Cut-off</b>	19.5V
<b>Power Supply</b>	On-board 24V DC, 1.5A High Efficiency Off-Line Switched Mode
<b>Output Voltage</b> <sup>3</sup>	18.0V – 28.0V
<b>Ripple (Vpkpk)</b>	Up to 1.0V
<b>Max Battery Ohms</b>	1.8Ω ± 0.1 Ω
<b>I<sub>max(a)</sub>, I<sub>max(b)</sub></b> <sup>4</sup>	1.15A, 1.5A

<sup>1</sup> Total output current from panel not to exceed I<sub>max(b)</sub> less internal power consumption.

<sup>2</sup> Aux supply tracks a maximum of 0.5V below battery terminal voltage when no mains supply is available.

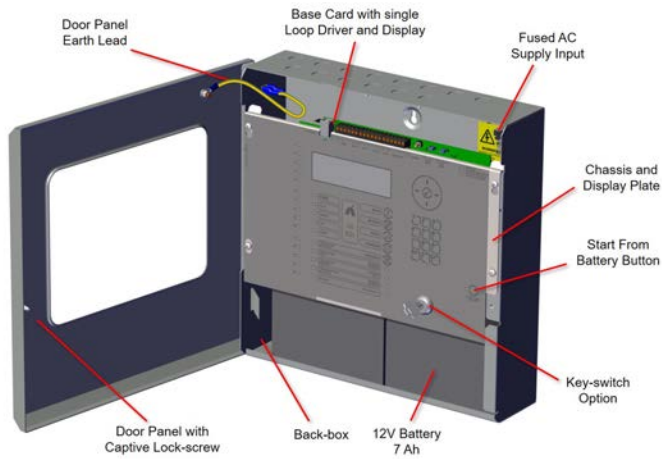
<sup>3</sup> Min/Max specifications for the AUX and Sounder outputs. Detector Loop voltage is not dependent on AC or battery voltage.

<sup>4</sup> Only applicable if the panel is configured to turn off the charger in alarm. Otherwise I<sub>max(b)</sub> = I<sub>max(a)</sub>.

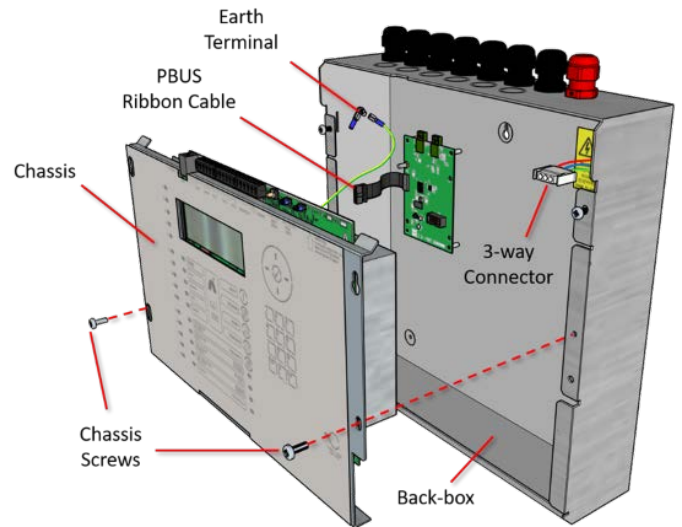
As our policy is one of constant product improvement, we reserve the right to modify product specifications without prior notice. E&OE

## Product Images

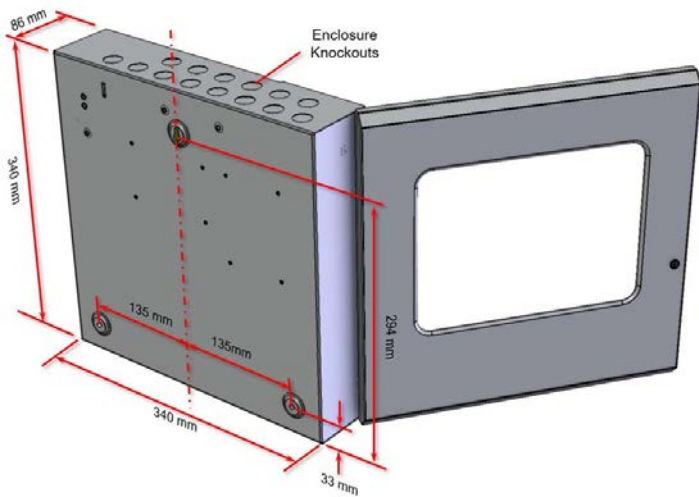
### Parts location



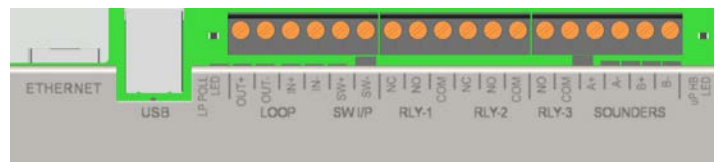
### Chassis and back-box



### Back-box enclosure



### PCB connectors



- Ethernet, digital-ready
- USB Type B for PC connection
- Loop input/output, 24VDC 0.5A
- Monitored Switch input
- 3x Relays (Fire, Fault, Other)
- 2x Sounders, each 24VDC 1.0A

Check if this document is up to date | Give us feedback

Advanced, The Bridges, Balliol Business Park, Newcastle upon Tyne, NE12 8EW, UK T: +44 (0)345 894 7000, E: enquiries@advancedco.com, W: www.advancedco.com

As our policy is one of constant product improvement the right is therefore reserved to modify product specifications without prior notice.