



Input Module with Short Circuit Isolator

EV-Mini IP2

Part no. FI6-82250

General Description

EV-Mini IP2 is a Single Input module, with integral –ve line Short circuit isolator compatible with Evolution analogue addressable system devices.

The module is compact and suitable for mounting within other equipment, such as Firebeam or Aspirating detectors. A remote LED output is provided for Input status indication.

Device address may be set using EV-AD2-EXT Hand held programmer.

The Short Circuit Isolator will protect the system, whilst allowing the device to continue communication from the opposite side. An indicating LED is provided and the isolator will self-reset when the fault clears.

The following resistors are required for Fault and Alarm monitoring:

- EOL = 10k Ohm
- Alarm = 470 / 680 Ohm

Approvals

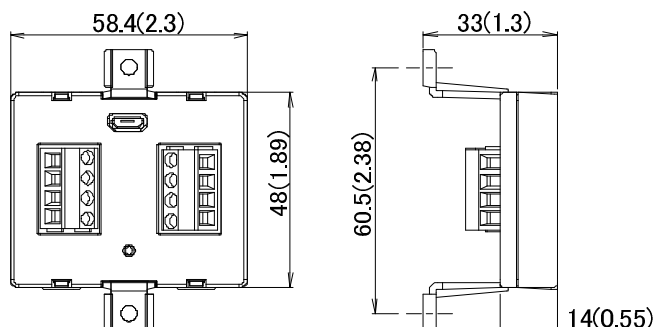
Test Standards	EN54-17: 2005 / AC: 2007
	EN54-18: 2005 / AC: 2007
CPR Certificate	0905-CPR-00641
UKCA Certificate	0359-UKCA-CPR-00010
DoP Number	00641

Notes

Not compatible with Advanced MxPro4 (Mx4000) Panel. Please use Non-SCI model.

It is not possible to mix +ve and -ve isolator styles on a system.

Dimensions mm(in)



Data

Operating loop voltage	20 to 38 Vdc
Quiescent current	690 μ A
Alarm current	3.3 mA
Current in short circuit	15 mA
Input	1 x Class B
Operating temperature	-10°C to +55°C
Storage temperature	-40°C to +80°C
Relative humidity	< RH 95% (Non-condensing)
Cable terminals	0.75 to 2.5 mm ²
Material	PC/ABS
Weight	40 g

Short Circuit Isolator

Minimum sw open voltage (V _{so min})	11 Vdc
Maximum sw open voltage (V _{so max})	14 Vdc
Minimum sw close voltage (V _{sc min})	3 Vdc
Maximum sw close voltage (V _{sc max})	10 Vdc
Maximum line current (I _{c max})	500 mA
Maximum switching current (I _{s max})	1500 mA
Maximum leakage current (I _{l max})	15 mA
Maximum switch resistance (Z _{c max})	150 m Ω

All wiring must conform to the current edition of IEE Wiring regulations and BS5839 Part I, or Local National Wiring regulations.

All loop Cable Screens shall be connected together, but must be Isolated from Ground. Cable Screens shall be connected to Earth Ground within the Control Panel ONLY.

Connections

