

## Type B Outdoor Beacon High Output White LED with/without Isolator **EV-HIOP-BCN-SCI**

Part no. F16-82055

Part no. F16-82056

### General Description

EV-HIOP-BCN-SCI is a Type B Outdoor High Output Beacon (White LED), with integral –ve line Short circuit isolator compatible with Evolution analogue addressable system devices.

The device enclosure is waterproof to IP65 rating and is suitable for Indoor or Outdoor installation.

The address may be set using EV-AD2-EXT handheld programmer using the Universal Addressing Lead.

The Short Circuit Isolator will protect the system, whilst allowing the device to continue communication from the opposite side. The isolator will self-reset when the fault clears.

### Approvals

Test Standards	EN54-17: 2005 / AC: 2007 EN54-23: 2010
CPR Certificate	0905-CPR-00465
UKCA Certificate	0359-UKCA-CPR-00005
DoP Number	00465

### Notes

SCI Variant Not compatible with Advanced MxPro4 (Mx4000) Panel. Please use Non-SCI model.

It is not possible to mix +ve and -ve isolator styles on a system.

### Data

Beacon Type	Type B Outdoor
Beacon Device	High Power White LED
Beacon VAD Specification	W 2.4-5.5 / 73m <sup>3</sup> W 2.4-7.5 / 135m <sup>3</sup>
Operating loop voltage	24 to 38 Vdc
Quiescent current	200 µA
Alarm current	20 mA
Current in short circuit	13 mA
Operating temperature	-25°C to +70°C
Storage temperature	-25°C to +70°C
Relative humidity	< RH 95% (Non-condensing)
Cable terminals	0.75 to 2.5 mm <sup>2</sup>
Material	ABS
Weight	190 g
Dimensions Flush	Ø104mm x 76.5mm
I.P. Protection Rating	IP65

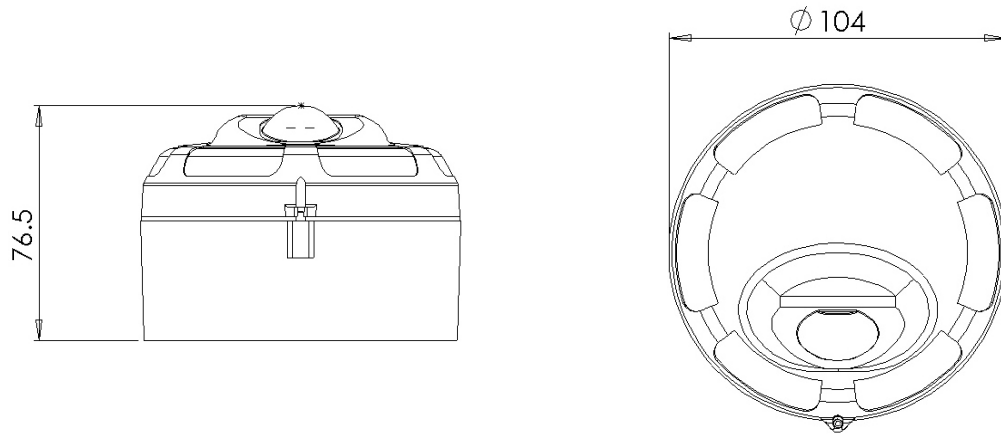
### Short Circuit Isolator

Minimum sw open voltage (V <sub>so min</sub> )	9 Vdc
Maximum sw open voltage (V <sub>so max</sub> )	11 Vdc
Minimum sw close voltage (V <sub>sc min</sub> )	10 Vdc
Maximum sw close voltage (V <sub>sc max</sub> )	13 Vdc
Maximum line current (I <sub>c max</sub> )	800 mA
Maximum switching current (I <sub>s max</sub> )	1500 mA
Maximum leakage current (I <sub>l max</sub> )	13 mA
Maximum switch resistance (Z <sub>c max</sub> )	150 mΩ

**All wiring must conform to the current edition of IEE Wiring regulations and BS5839 Part 1**

**All loop Cable Screens shall be connected together, but must be Isolated from Ground. Cable Screens shall be connected to Earth Ground within the Control Panel ONLY.**

## Dimensions



## Connections

