

EK-WL8-OUT

Hybrid Wireless Single Output Module

Features

- ▶ Approved to EN54-18 and 25
- ▶ RED compliant
- ▶ Contact can be configured with 2 options:
 - 24 VDC Output
 - N/O Contact
- ▶ Bi-directional wireless communication
- ▶ Up to 10 years battery life*
- ▶ Self optimising wireless amplitude and frequency
- ▶ Includes a fault monitoring input.



Description

A Wireless Single Channel Output Module which allows the control panel to switch the circuits of an external device wirelessly via an Ekho Translator/ Expander module.

The unit provides a switched voltage output (24 VDC recommended) or a N/O contact only.
Optional back box is available.

Specifications

| | | |
|---|---|---|
| Ordering code | EK-WL8-OUT | Optional Back box is available EK-BBOX-01 |
| Operating frequency range | 866 - 869.85 MHz | |
| Communication range (in open air) | 1200 m | |
| Modulation type | GFSK | |
| Operating frequency channels | 6 | |
| Max. radiated power | ≤ 25 mW | |
| Time period between wireless signal transmissions | 2 minutes | |
| External power supply voltage | 12 - 24 VDC | |
| Operating temperature range | - 10 °C to + 55 °C | |
| Switched voltage rating*2 | 30 VDC / 250 VAC @ 8A | |
| IP Rating | IP41 | |
| Max tolerated humidity | 93% RH (non-condensing) | |
| Weight (g) / Dimensions (mm) | 350 / H 143 x W 210 x D 42 without Back box | |
| Power supply (Dual 3V lithium batteries) | 1 x Primary cell (CR123A) | 1 x Secondary cell (CR123A) |
| | 1.2 Ahr | 1.2 Ahr |
| | Up to 10 years primary battery life* | 8 months secondary battery life |

Standards & Approvals

EN5-18 Input/Output devices

EN54-25 Components using Radio Links



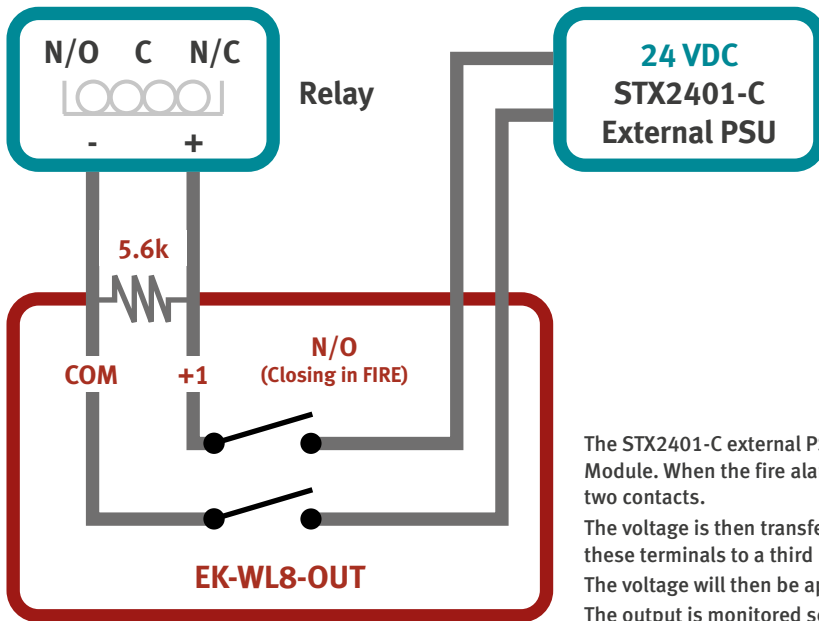
*Dependant on operational usage *2Supply voltage dependant



EK-WL8-OUT

Hybrid Wireless Single Output Module

Relay Diagram Option 1



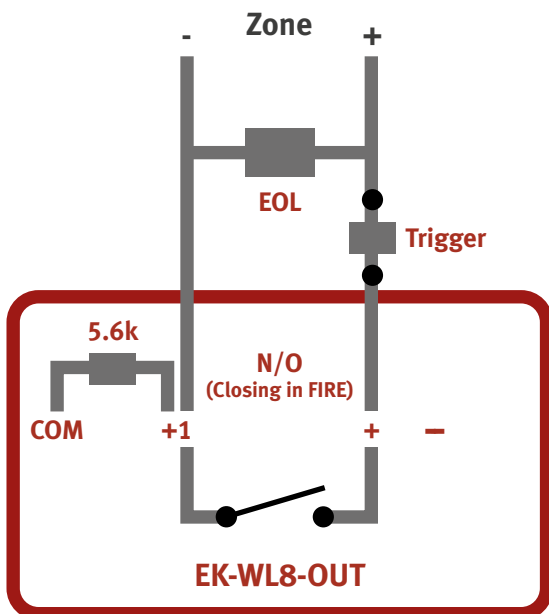
The STX2401-C external PSU will supply the voltage to the power terminals of the Ekho Output Module. When the fire alarm is activated, the Output Module will switch the voltage by closing the two contacts.

The voltage is then transferred to the COM and +1 terminals. Please note that a connection from these terminals to a third party relay unit is required.

The voltage will then be applied to the coil of the relay and the contacts will operate.

The output is monitored so requires a 5.6k EOL.

Relay Diagram Option 2



A N/O is provided between +1 and +, this will close when the fire alarm is activated.

The output is monitored and so requires a 5.6k EOL.

*Dependant on operational usage *2Supply voltage dependant



For further information visit our website. Hochiki reserves the right to alter the specification of its products from time to time without notice. Although every effort has been made to ensure the accuracy of the information contained in this document it is not warranted or represented by Hochiki to be a complete and up-to-date description. Check online for current version.

