

GENERAL DESCRIPTION

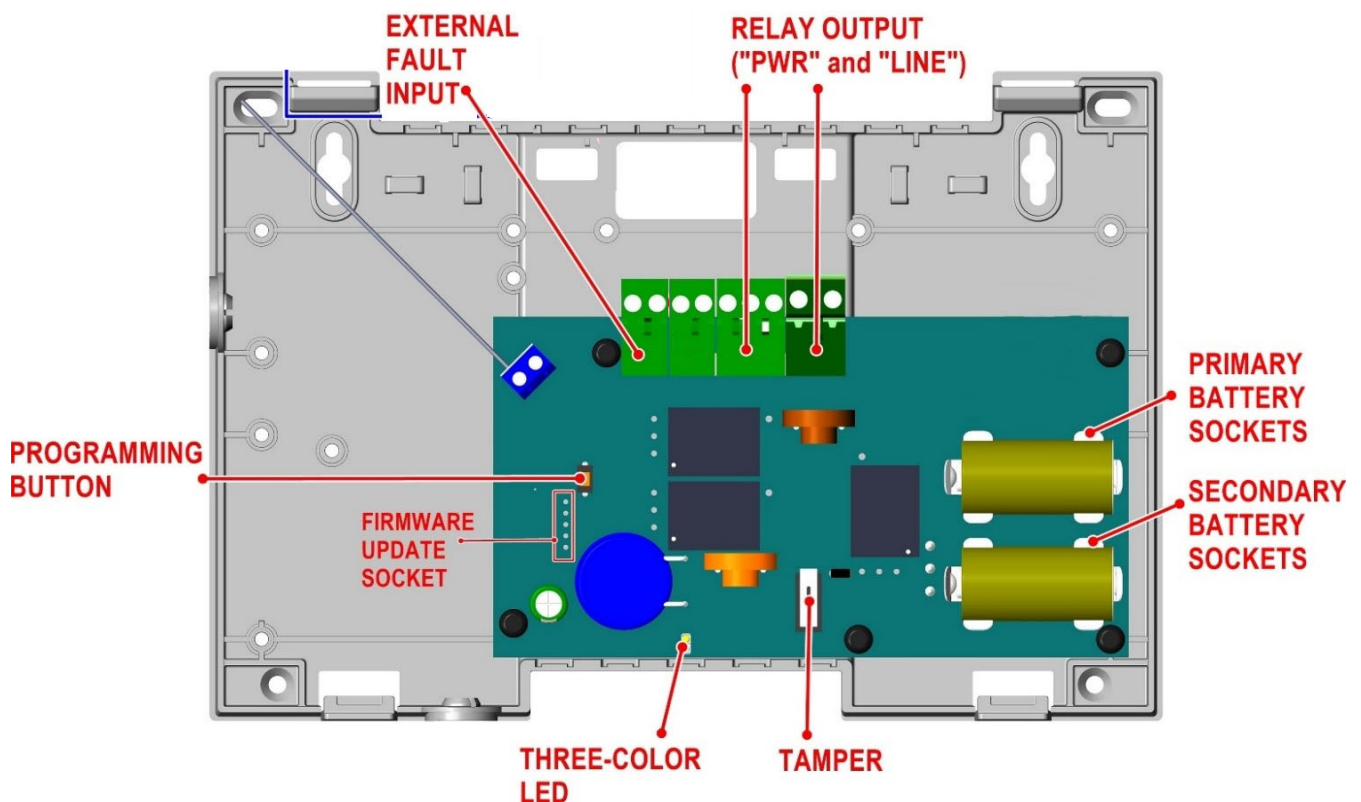
EK-WL8-OUT is a wireless output module that incorporates a switched voltage output that can be used to control dampers or other equipment/ plant shutdown, an external fault monitoring input is also available on the device.

The device is supplied with a mounting kit, (an optional back is available EK-BOX-01).

The product complies with the requirements of the EN54-18:2005 and EN54-25:2008 standards.



GENERAL OVERVIEW



FEATURES

- External fault monitoring input
- Bi-directional wireless communication
- Battery power supply
- Self-optimizing wireless frequency and amplitude algorithms



TECHNICAL SPECIFICATION

Communication range to expander or translator	1200 m (open space)
Radio frequency	866 – 869,85 MHz
Modulation type	GFSK
Operating frequency channels	6
Radiated power	Not more than 25 mW
Receiver category (EN300-220-1)	1.5
Switched voltage rating	=30 V/~250V, 8A
Battery life:	
Primary battery (type CR123A)	8-10 years
Secondary battery (type CR123A)	not less than 6 months (after primary battery low fault)
Dimensions	210x145x40 mm
Weight	350 g
Max tolerated humidity	93% RH
Operating temperature range	from –10 °C to +55 °C

NOTE Check the latest version of the product specification document STFV.425419.005-E-PS for further data, obtainable from the manufacturer.

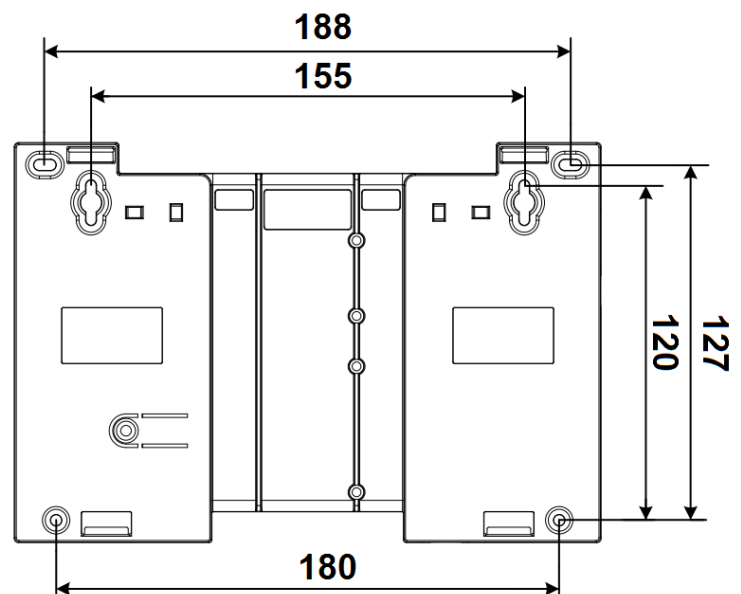
PROGRAMMING

The “Prog.” button on the device is used for initializing the device on to the system. Please refer to the translator manual for full instructions on how to add a device to the system. The device can also be initialized using the “Ekho Configuration” software.

INSTALLATION

Preferably, the device should be installed away from metallic objects, doors, and power lines, as they can reduce communication distance. It is also important to avoid installing the device near electronics and computer equipment in order to protect them from potential electromagnetic interference.

To secure the cover, insert two rivet snaps into the holes.



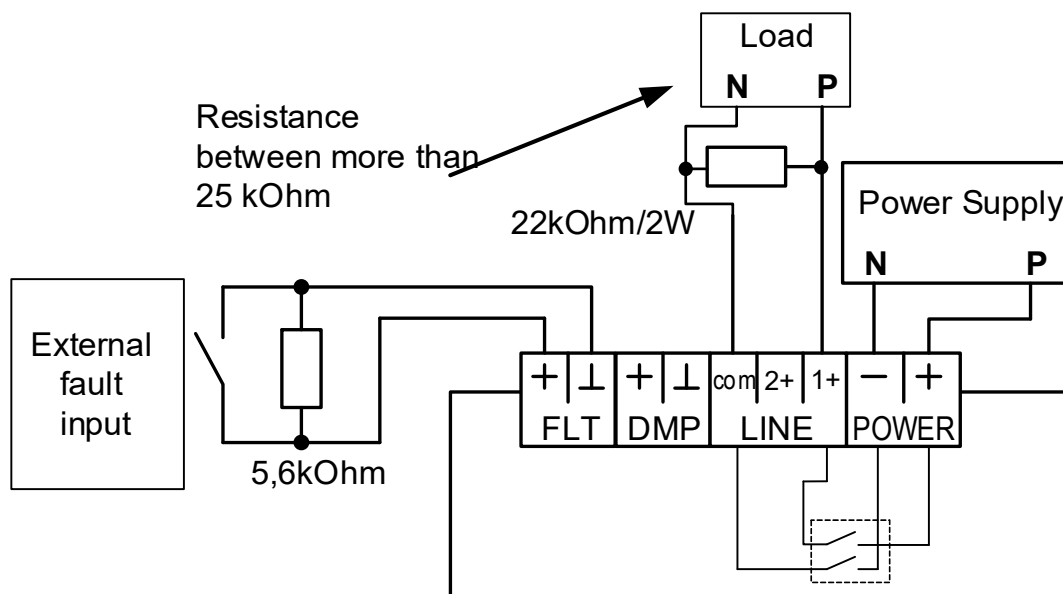
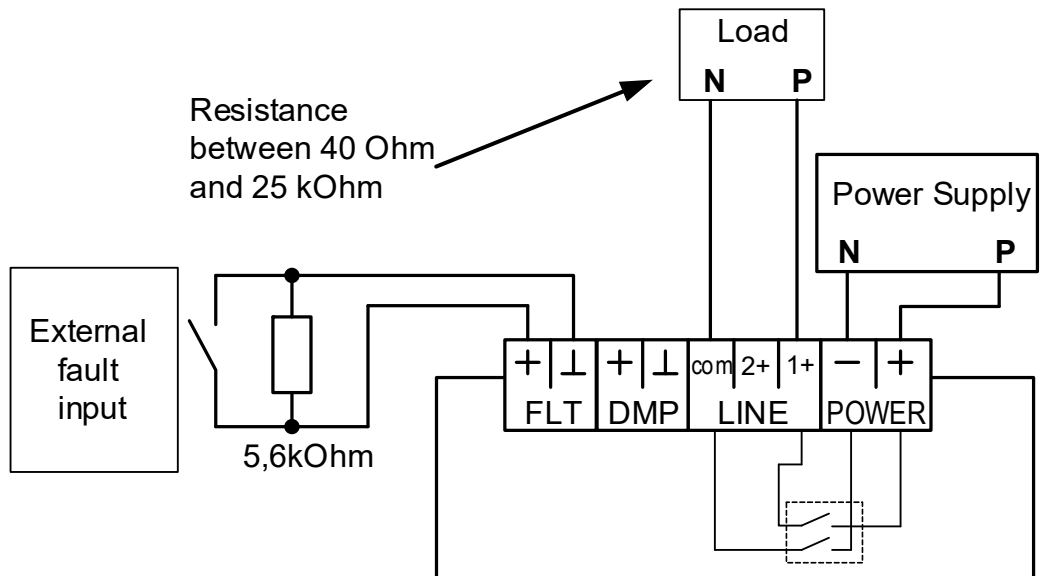
INDICATION

The device has an LED, which indicates its state according to the following:

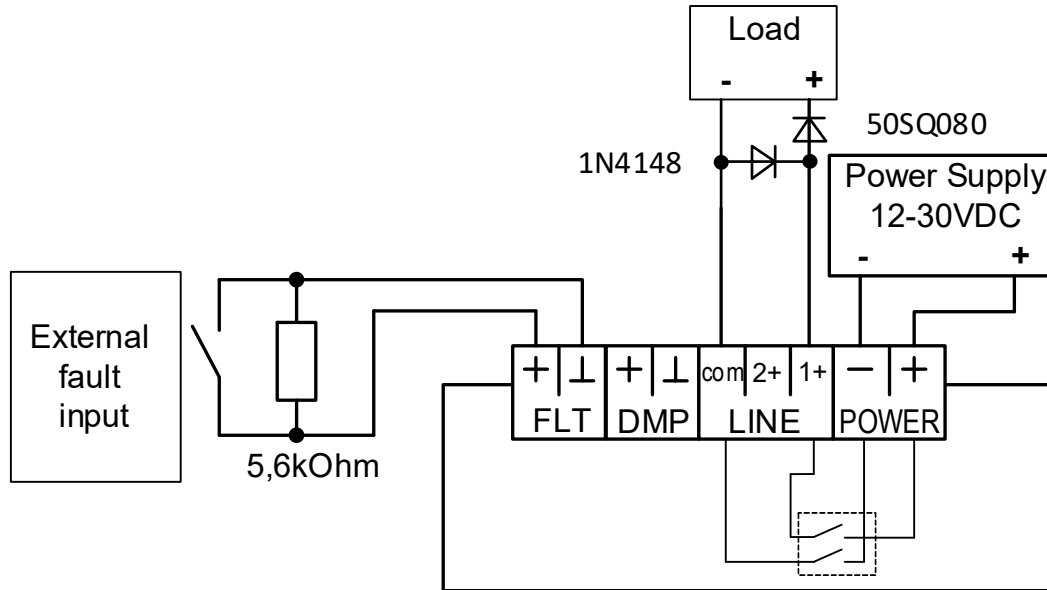
LED indication	Device's state
No indication or green flashes	Standby mode
Yellow flashes	Fault state – battery, FLT, LINE input
Red flashes synchronized with relay switching	Device activated

CONNECTIONS

AC mains power supply:



DC power supply:



ATTENTION Any power supply connected to POWER terminals should have an output current limit of 8 A.

ATTENTION High voltage can be applied to the device terminals.

ATTENTION FLT inputs and circuits should not be accessible by users after installation and should not be connected to any other low-voltage circuits.





SETTINGS

You can change settings of the device by EK-WL8-TRH menu. [] - default values

Parameter	Value	Note
Output type	[Standard] other modes should not be used	For details see clause "CONNECTION"
FLT input	[Off]/On	Set "ON" other modes should not be used
POWER monitoring	[Disabled]/Enabled	Set "Disabled" if there is no need to monitor POWER input condition
Tamper	Disabled/[Enabled]	

POWER

The device is powered via internal batteries, please remove the protective plastic tabs before use.

ANALOG DATA

Device provides the translator module with analog data regarding the air temperature, RF link quality and battery voltages. This information can be viewed in the "Ekho Configuration" software. Please refer to the software manual for full instructions on how to use the program for system maintenance.

WARNINGS & LIMITATIONS

Devices use high quality electronic components and plastic materials that are highly resistant to environmental deterioration. However, after 10 years continuous operation it is advisable to replace them to reduce the risk of reduced performance caused by external factors. Ensure the devices are only used with compatible control panels. Detection systems must be checked, serviced and maintained on a regular basis to confirm correct operation.

Refer to and follow National Codes of Practice and other internationally recognized fire engineering standards. Appropriate Risk Assessment should be carried out initially to determine correct design criteria and updated periodically.

ATTENTION Any power supply connected to POWER terminals should have an output current limit of 8 A.

ATTENTION High voltage can be applied to the device terminals. Disconnect the mains input before changing the connection and opening the enclosure.



ATTENTION FLT inputs and circuits should not be accessible by users after installation and should not be connected to any other low-voltage circuits.

WARRANTY

All devices are covered by a 3-year limited warranty. The warranty is voided by mechanical or electrical damage caused by incorrect handling or usage. Product must be returned via an authorized supplier for repair or replacement along with full information on the identified problem.

BATTERY REPLACEMENT

When a battery requires replacement, both batteries must be changed together.

- a. Open the case of the device.
- b. Remove the batteries.
- c. Insert the new batteries as detailed in the installation manual above – take care to observe + / - polarity.
- d. Close the case of the device.
- e. Test the device in accordance with the manufacturer's instructions.

It is recommended to change both batteries after 10 years of operation regardless of their indicated discharge level.

To replace the batteries, use Panasonic CR123A (primary and secondary batteries) or other with similar characteristics. The batteries must meet the following standards: UL 1642 lithium batteries, UL certified at www.ul.com or IEC 60086-4 Primary batteries, Part 4: Safety of lithium batteries.

The remaining shelf time of the new batteries must be not less than 8 years.

Failure to observe these instructions will void the device warranty and any liabilities

CAUTION

- Replacement of a batteries must be of the same type.
- Do not expose used batteries to fire, hot ovens, or mechanical crushing/ cutting as this can result in an explosion.



- Exposing batteries to extremely high environmental temperatures can result in explosion or the leakage of flammable liquid or gas.
- A battery subjected to extremely low air pressure may result in an explosion or the leakage of flammable liquid or gas.

DISPOSAL

- Follow local regulations regarding disposal of the batteries.

FOR TECHNICAL SUPPORT & PRODUCT RETURNS PLEASE CONTACT:

Grosvenor Road
Gillingham Business Park
Gillingham
Kent
ME8 0SA
United Kingdom
Tel: +44 (0)1634 260133

APPROVALS



1571k/03



2831-CPR-F4392



0832-UKCA-CPR-F1488

MANUFACTURING

ASI Oy Ltd
Finland, Savonlinna, Laitaatsillantie 3, 57170
Tel.: +358 408200991
E-mail: mail@asioy.fi
Web: www.asioy.fi

OTHER LANGUAGE VERSIONS OF THIS DOCUMENT:

Dutch (NL)



Spanish (ES)



Italian (IT)



German (DE)



Bulgarian (BG)