

SYNCRO VIEW

Local LCD Control Panel Repeaters

Features

- ▶ Up to 15 annunciators can be connected to each Syncro AS panel
 - ▶ Response or Syncro AS fire control panel.
 - ▶ Large liquid crystal display (240 x 64 pixels)
 - ▶ High brightness LED indications
 - ▶ Internal sounder
 - ▶ Replicates all Syncro panel controls
 - ▶ Simple, two-wire serial connection
 - ▶ Small enclosure
 - ▶ Removable electronics for easy installation
- ▶ 24V DC or 230V AC power options
 - ▶ Low power consumption
 - ▶ Multi language options
 - ▶ Connection monitored by Syncro fire control panel



Description

The Syncro View fire alarm repeater provides a cost effective, simple and convenient method of extending the controls and indications of the Syncro AS fire alarm control panel to other locations.

The large, graphic LCD, brightness LED indicators and full set of controls duplicate the indications and controls on the Syncro AS fire alarm control panel at up to 15 additional locations via a (separate to the Syncro AS network) simple, two-wire serial data connection.

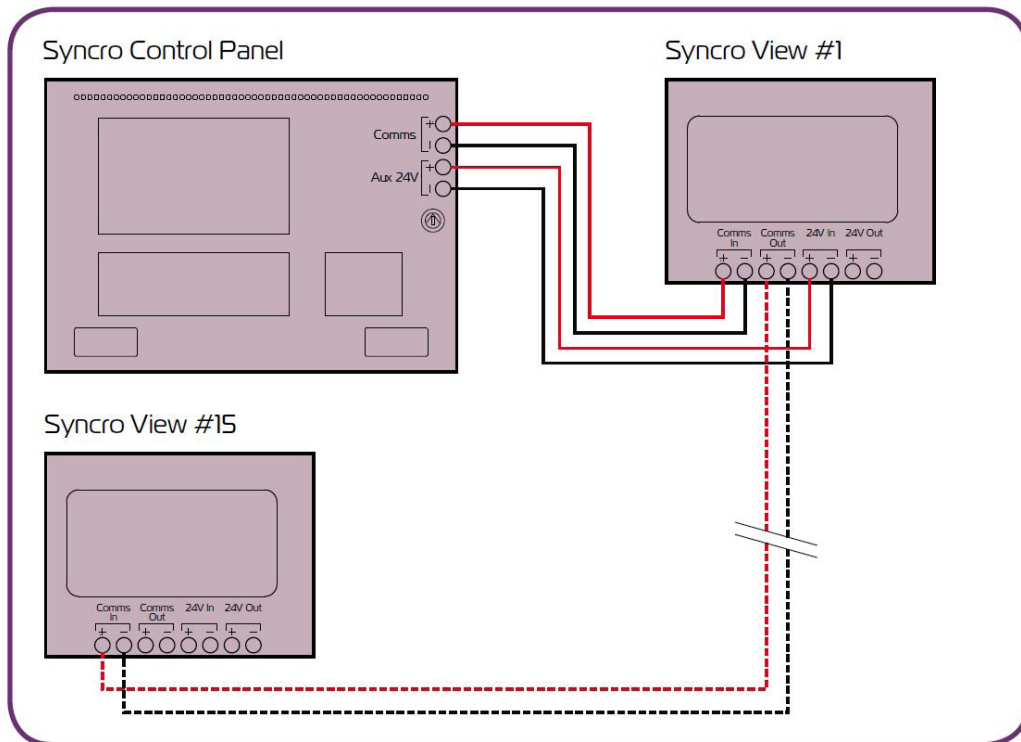
Ideal for locations where a control and indication point smaller than a full fire alarm control panel is required, the Syncro View is available in either a 24V DC powered option (which can be powered via an additional 2 cores from the Syncro AS control panel auxiliary 24V DC supply) or a 230V powered option with local battery back up

Equipment

Product Code	Description	PSU	Size (mm)
K67000M1	Syncro View repeater panel		330 x 255 x 90
K67750M1	Syncro View repeater panel	750mA	330 x 255 x 90
K67001M1	Syncro View repeater panel c/w enable keyswitch		330 x 255 x 90
K67751M1	Syncro View repeater panel c/w enable keyswitch	750mA	330 x 255 x 90

Specification

Construction	1.2mm mild sheet steel
IP Rating	IP30
Finish	Epoxy powder coated
Colour - lid & box	BS 00 A 05 grey - fine texture
Colour - controls plate & labels	Ral 7047 light grey - satin
Weight	4kg (standard panel)
Display	8 lines of 40 characters graphic LCD
Cable entry	5 x 20mm knockouts in top of box and 5 in rear
Mains supply (Mains models only)	230V AC +10% - 15% (20 Watts maximum)
24V supply (24V DC models only)	21 to 30V DC
Mains supply fuse	2 Amp, 20mm
Power supply rating	28V 750mA total (including battery charging)
Maximum ripple current	200 millivolts
Battery type (Yuasa NP)	Two 12 Volt 1.9Ah sealed lead acid in series
Battery charge voltage	27.6VDC nominal
Battery charge current	200mA maximum
Battery fuse	200mA, 20mm, glass
Maximum current draw from batteries	95mA
Quiescent current of panel in mains fail	0.03 Amps
Serial data connection	2 core RS485 (Up to 1200 metres total cable length)
Maximum terminal capacity	2.5mm ²



Datasheet DS43/09/17

For further information visit www.kentec.co.uk

Kentec Electronics Ltd. reserves the right to alter the specification of its products from time to time without notice. Although every effort has been made to ensure the accuracy of the information contained in this document it is not warranted or represented by Kentec Electronics Ltd. to be a complete and up-to-date description.