

# MCP Indoor Call Point Range

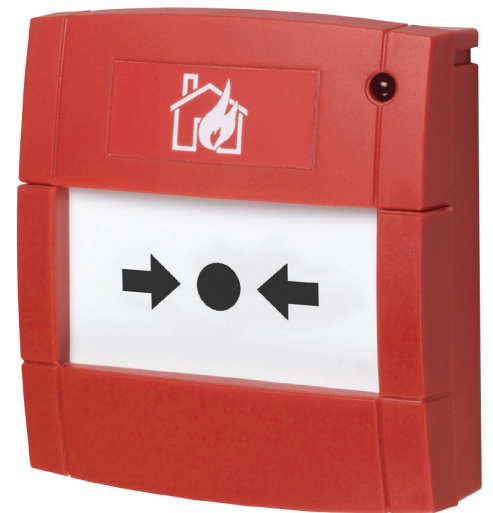
## MCP5A Intelligent Model

### Advanced Protocol



#### > Product Benefits

- Unique 'Plug & Play' installation concept
- Total 'Flex-Ability' in the choice of operating element
- Anti-Tamper facility
- Enhanced aesthetics and compact design
- Fully approved to the latest standards
- Backward compatibility
- CPD Approved



#### Product Overview

Installation efficiency, flexibility and full compliance with the latest standards are at the heart of the new MCP Indoor Call Point range.

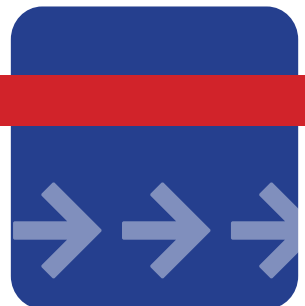
Installation time and ultimately cost, are of paramount importance to any fire or security installer. The MCP range directly reflects this need by providing a unique 'plug and play' concept designed specifically to reduce installation time. All new MCP products utilise a special terminal block, where all initial installation cabling is terminated. This terminal block is then simply connected to the back of the MCP. Simple, but effective with no re-termination required and no time wasted.

Through new standards and legislation, both break glass and resettable operating elements can now be used within a manual call point. To provide you with the greatest 'flex-ability', the new MCP range can be configured as either a break glass or resettable unit by simply changing from one element to another. No other additional parts or alternative products need to be ordered.

All MCP Indoor Call Point products also help preserve the integrity of the overall system as illegal removal of the product lid will result in the call point operating and the system going in to alarm.

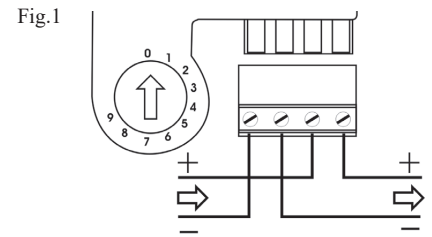
Full compliance with the latest standards is essential and the new MCP indoor call point range is fully approved to the latest EN54-11 standard (compliant markings only).

The MCP5A product has the Advanced Protocol embedded. A version of this call point with built in isolation is also available.



## Electrical Specification

|                     |   |
|---------------------|---|
| Connection Details: | See figures 1                                     |
| Cable Termination:  | 0.5-2.5mm <sup>2</sup>                            |
| Maximum Voltage:    | 32VDC   |
| Standby Current:    | 80μA* (24V, no comms)<br>120μA* (24V, with comms) |
| Operating Current:  | 7.0mA*<br>*figures @ 24VDC                        |



MCP5A

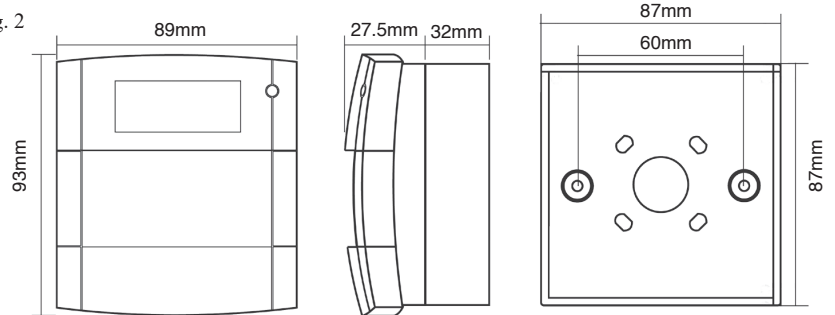
## Environmental Specification

|  |                      |
|--|----------------------|
| Humidity:  | 93±3% non-condensing |
| Operating Temperature:   | -100C to +550C       |
| Storage Temperature:   | -100C to +550C       |
| Ingress Protection (IP) Rating:  | IP24D                |
| For RoHS, WEEE & REACH information please see <a href="http://www.kac.co.uk">www.kac.co.uk</a> |                      |

## Mechanical Specification

|           |                            |
|-----------|----------------------------|
| Material: | PC/ABS                     |
| Weight:   | 130g Flush<br>180g Surface |
| Colour:   | Red, Ral 3001              |

Fig. 2



## Ordering Information

| Model                | Isolation | Mounting Element | Operating | Markings |
|----------------------|-----------|------------------|-----------|----------|
| Stock                |           |                  |           |          |
| MCP5A-RP01FG-K013-01 | NO        | Flush            | Glass     | EN54-11  |
| MCP5A-RP01FF-K013-01 | NO        | Flush            | Flexi     | EN54-11  |
| MCP5A-RP02FG-K013-01 | YES       | Flush            | Glass     | EN54-11  |
| MCP5A-RP02FF-K013-01 | YES       | Flush            | Flexi     | EN54-11  |
| MCP5A-RP01SG-K013-01 | NO        | Surface Glass    |           | EN54-11  |
| MCP5A-RP01SF-K013-01 | NO        | Surface Flexi    |           | EN54-11  |
| MCP5A-RP02SG-K013-01 | YES       | Surface Glass    |           | EN54-11  |
| MCP5A-RP02SF-K013-01 | YES       | Surface Flexi    |           | EN54-11  |

## Accessories

| Code   | Description  |
|--------|--|
| SC070  | Pack Of Ten Test Keys  |
| MUS155 | Pack Of Five Glass Elements (Also available in packs of 10 & 50) |
| PS210  | Flexible Operating Element                                       |
| PS200  | Plain Hinged Cover   |
| SC071  | Pack Of Twenty Terminal Blocks                                   |

**KAC**

> [Learn More: kac.co.uk](http://kac.co.uk)