

# CASB493/WP, CASB483/WP - Intelligent addressable wall sounder visual alarm device (VAD)



A market-leading sounder and the latest EN 54-23 compliant beacon; providing clear audible and visual signalling in the event of an emergency.

The intelligent addressable wall sounder visual alarm device (VAD) offers an impressive performance and a proven, durable design that you can rely on.

The CASB493 is suitable for fire notification in commercial buildings. The CASB493WP is a weatherproof alternative with an IP66 ingress protection rating, making it suitable for wet and outdoor environments.

## Features and benefits

- Compliant to the latest standards (EN 54-23)
- LED technology for long service life and low current consumption
- Coverage switch feature; switch from 7.5m to 2.5m reducing power consumption by up to 50%
- Reduce flash from 1Hz to 0.5Hz to reduce power consumption by up to 50%
- Proven, industry leading sounder offers durable and reliable notification
- Uses Eaton's patented lens design that optimises light dispersal
- Available in Red (CASB483/WP) and White (CASB493/WP) flash

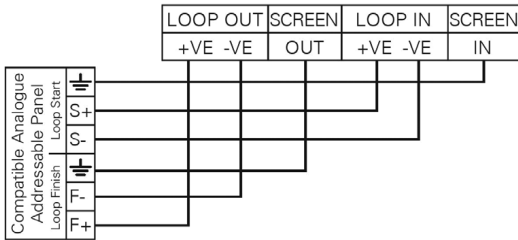
**EATON**

*Powering Business Worldwide*

## Technical Specifications

Code	CASB493/WP / CASB483/WP
Mounting	Wall
Voltage	19-30V
Current: stand-by	<330µA
Current: operating	13.4-47.5mA (depending on setting and LED colour)
Mounting height (x)	2.4m
Coverage (y)	Red flash : 7.5m (switchable 2.5m) White flash : 7.2m (switchable 2.1m)
Coverage volume code (w-y-x)	Red flash : W-2.4-7.5 (W-2.4-2.5) White flash : W-2.4-7.2 (W-2.4-2.1)
Flash rate	0.5Hz (Switchable to 1Hz)
Operating temperature	Type A = -10°C - 55°C Type B = -25°C - 70°C
IP protection	IP21C WP variant : IP66
Body colour	Red
Flash colour	White or red
Sound output	99dB (A) Two tone 644/984Hz @ 1Hz cycle

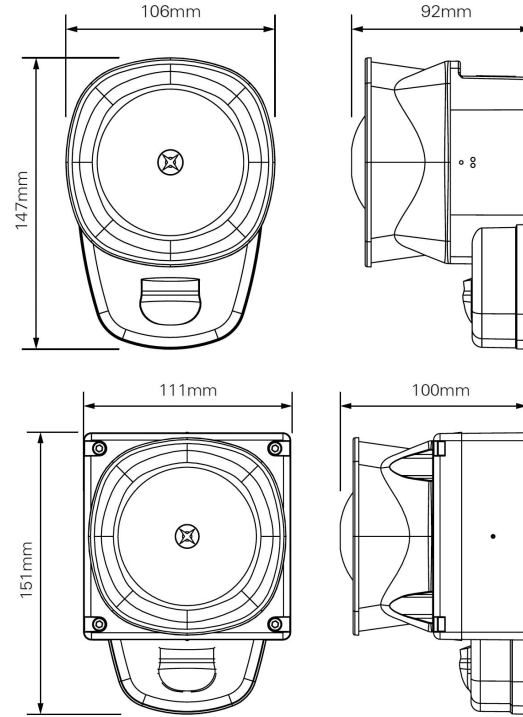
## Standard connections



### Warning

Do NOT use high voltage testers if ANY equipment is connected to the system.  
Earth screen must be continuous along entire length of the loop.

## Dimensions



Description	H (mm)	W (mm)	D (mm)
Wall sander VAD	147	106	92
Wall sander VAD (Weatherproof)	151	111	100

## Catalogue numbers

Code	Reference	Description
8500110FULL-0199X	SYG2/LX-W/WF/R1 VAD EATON CASB493	Wall sander VAD, red, white flash
8500111FULL-0197X	SYG2/LX-W/RF/R1 VAD EATON CASB483	Wall sander VAD, red, red flash
8500114FULL-0200X	SYG2/LX-W/WF/R1/WP VAD EATON CASB493WP	Wall sander VAD, red, white flash, waterproof
8500115FULL-0201X	SYG2/LX-W/RF/R1/WP VAD EATON CASB483WP	Wall sander VAD, red, red flash, waterproof