

CASB393, CASB393WP

Intelligent addressable open class visual alarm device (VAD)



The intelligent addressable open class visual alarm device (CASB393) offers low current consumption, multiple sound output levels and LED visual notification.

The open class VAD comes in two variants, the standard CASB393 and the weatherproof CASB393WP, which is IP66 rated meaning it is ideal for outdoor locations.

Both variants of the open class VAD are suitable for markets where EN54-23 VADs are a requirement.

Features and benefits

- Integral short circuit isolator
- Loop powered
- Soft addressed
- Quick and simple to install
- Selectable tones controlled by the panel
- Adjustable volume controlled by the panel
- IP66 version available as both an internal and weatherproof variant available
- Easy to maintain/service



Powering Business Worldwide

Technical specification

Code	CASB393, CASB393WP
Supply Voltage	19 - 30 vdc
Cable Size / type	0.5 - 2.5 mm/ FIRETUF, FP200 or MICC
Standby current	< 450 uA
Operating temperature	-10 to +55° C (95%RH)
Sound output @ +/-3dB (set by panel)	Low volume : 87 dB @ <8.6 mA Medium volume : 93 dB @ <10 mA High volume : 100 dB @ <11 mA
Environment Category CASB393	Type A
Environment Category CASB393WP	Type B
Compliance	EN54-3 Fire Alarm Device – Sounder EN54-17:2005 EN54-23:2010 Fire Alarm Device - VAD
Tones (set by panel)	Continuous 984 Hz Pulsed 984 / 0 Hz pulse 1Hz* Two Tone 644 / 984 Hz @ 1 Hz cycle Slow whoop 500-1200 Hz in 3.5 seconds / 0.5 seconds gap
Beacon	0.5 Hz Flash
Total Loop Resistance for correct operation of short circuit isolator	50 Ω (max)
Parallel Fault Resistance to be seen at the Control Panel for isolators to open	200 Ω (typ)
Continuous Current allowable through isolator	700 mA (max)
Isolator Resistance in closed state	0.26 Ω (max)
Leakage Current into direct short circuit with isolator open	14 mA (max)
Voltage at which isolator changes from open to closed or closed to open state	3.8 V to 11 V
Maximum switching current of isolator	1.5 A

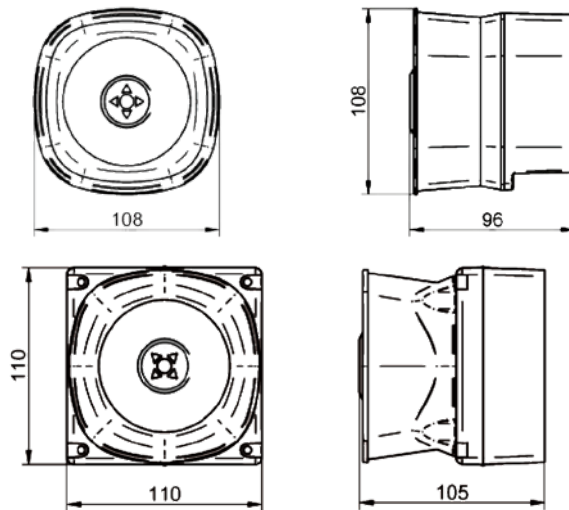
Installation

1. Installation is simple using first fix base.
2. First fix base is fixed to mounting surface via 2 fixings holes.
3. Cables enter through aperture in base (rear entry only).
4. Main body is then clipped into place on base, main body locks into place when pressed into position.
5. Cables pass through aperture in sounder body and terminate at the front.
6. Connections are to connector block on front of main sounder body.

System functionality

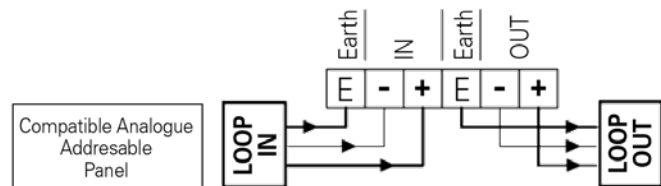
1. Volume and tone are set by control panel, no need to access sounder to alter setting.
2. Soft addressed.

Dimensions



Description	H (mm)	W (mm)	D (mm)
CASB393 (Top)	108	108	96
CASB393WP (Bottom)	110	110	105

Standard connections



Warning:

Do NOT use high voltage testers if ANY equipment is connected to the system.
Earth screen must be continuous along entire length of the loop.

Catalogue numbers

Description	Code
Open class VAD	CASB393
Weatherproof open class VAD	CASB393WP

Note:

All information correct at the time of writing. Eaton reserve the right to make changes to this information. Please contact Eaton if you have any queries.

Eaton
EMEA Headquarters
Route de la Longeraie 7
1110 Morges, Switzerland
Eaton.com

© 2023 Eaton
All Rights Reserved
Publication No. DS0052-A
March 2023