

CAB492CS, CAB482CS - Intelligent addressable ceiling visual alarm device (VAD)



An EN 54-23 certified, low-current and attractive fire alarm beacon that provides clear notification in the event of fire.

The addressable visual alarm device (VAD) is suitable for ceiling mounting and a variety of applications. It is compatible with a shallow base.

The VAD has a unique lens design that distributes light in a cylindrical shape to achieve the required illumination specified by the latest standards, whilst using minimum current consumption.

Designed in accordance with CoP 0001 (UK installation code) for mounting at a height of up to 3m and with an attractive appearance, the device is a desirable and reassuring safety presence in any building.

Features and benefits

- Compliant to the latest standards (EN 54-23)
- Ultra-low current consumption
- Coverage switch - 7.5m to 2.5m
- Flash rate switch from 1Hz to 0.5Hz reduces power consumption by up to 50%
- Attractive, discrete design suitable for public places
- Variety of bases provides flexibility as to where the VAD can be installed
- Available in white (CAB492CS) and red (CAB482CS) flash

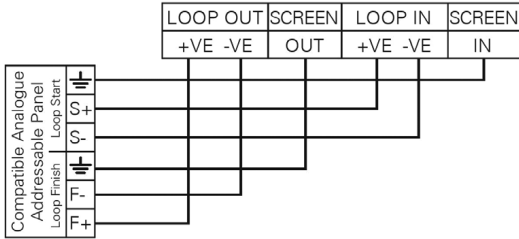


Powering Business Worldwide

Technical Specifications

Code	CAB492CS / CAB482CS
Mounting	Ceiling
Voltage	19-30V
Current: stand-by	<330µA
Current: operating	12.5-45mA (depending on setting and LED colour)
Mounting height (x)	3.0m
Coverage (y)	7.5m (switchable 2.5m)
Coverage volume code (c-x-y)	C-3.0-7.5
Flash rate	0.5Hz (Switchable to 1Hz)
Flash colour	Red or white LED
Operating temperature	Type A = -10°C - 55°C
IP protection	Shallow base: IP21C

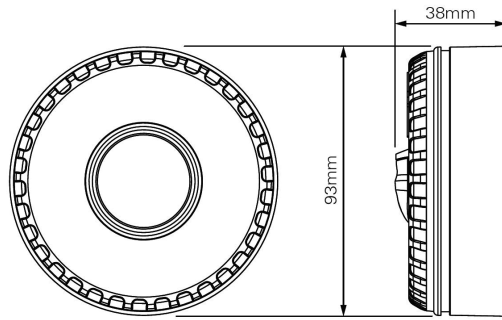
Standard connections



Warning

Do NOT use high voltage testers if ANY equipment is connected to the system. Earth screen must be continuous along entire length of the loop.

Dimensions



Description	H (mm)	W (mm)	D (mm)
Ceiling VAD	93	93	38

Catalogue numbers

Code	Reference	Description
812050FULL-0269X	SOL-LX-C/MF/R1/S VAD EATON CAB492CS	Ceiling VAD, red, white flash, shallow base
812037FULL-0214X	SOL-LX-C/RF/R1/S VAD EATON CAB482CS	Ceiling VAD, red, red flash, shallow base