

The R24 relay is intended to switch additional field devices via the two relay outputs supplied. An LED is mounted so that it remains visible during the relay operation.

The supply voltage to the relay coil may be continued through the device via the additional terminals supplied. Each device is reverse polarity protected.

Typical usage examples are; automatic door retainers, smoke vents and fan shutdown, which are intended to be operated by an automatic fire system.

- PCB version for mounting inside PSU's, panels, etc.
- self contained version in a metal enclosure
- single gang plate version has 'Auxiliary Relay Operated' text
- custom legend available on request



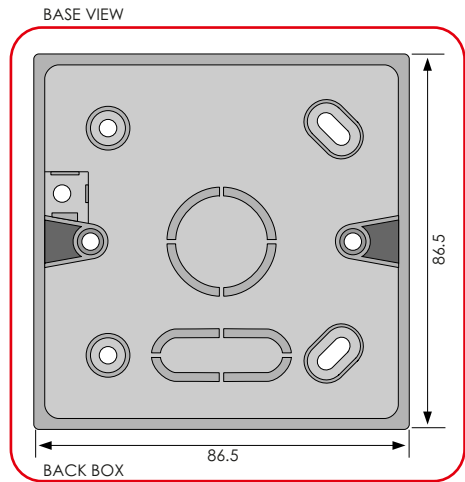
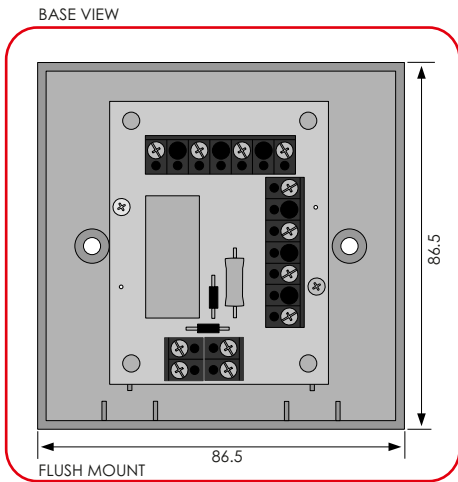
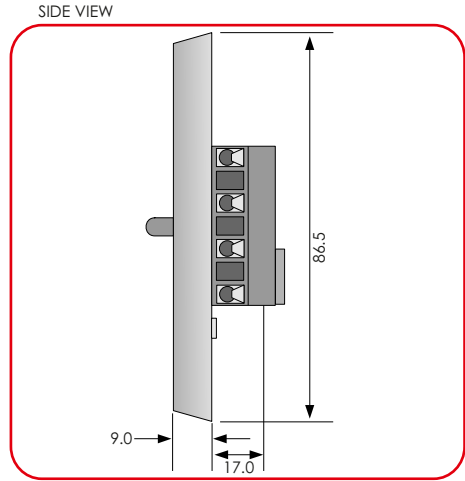
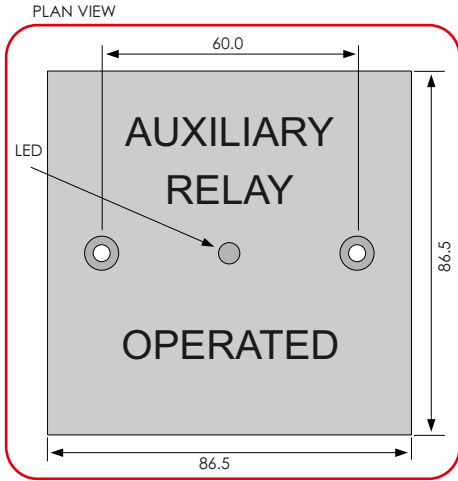
TECHNICAL

| type | PCB | surface mount | metal enclosure |
|----------------------------------|------|------------------------------------|-----------------|
| voltage range (Vdc) | | 18 - 40 | |
| nominal current consumption (mA) | | 22 | |
| relay contact rating | | 230Vac 5A | |
| coil impedance (Ω) | | 1100 | |
| protection rating | n/a | IP43 | IP43 |
| boxed weight (kg) | 0.06 | 0.02 | 0.61 |
| colours available | n/a | white (ABS fire retardant plastic) | grey |

ORDERING INFORMATION

| | |
|--|---------|
| Auxiliary Relay Operated" text, single gang, surface | 503-001 |
| pcb only, supplied with 4 adhesive feet | 503-002 |
| pcb mounted in metal enclosure with lid | 503-003 |

DIMENSIONS, PRODUCT MOUNTING & CABLE ENTRY



WIRING CONFIGURATION & TYPICAL INSTALLATION

