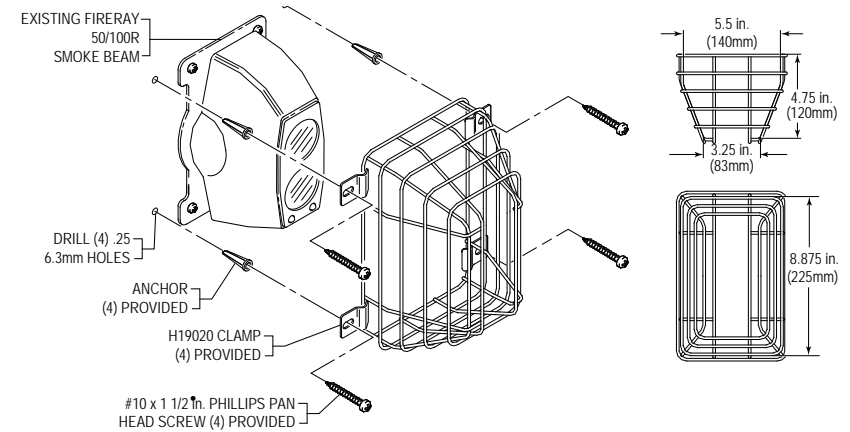


STI-9623



STI-9624

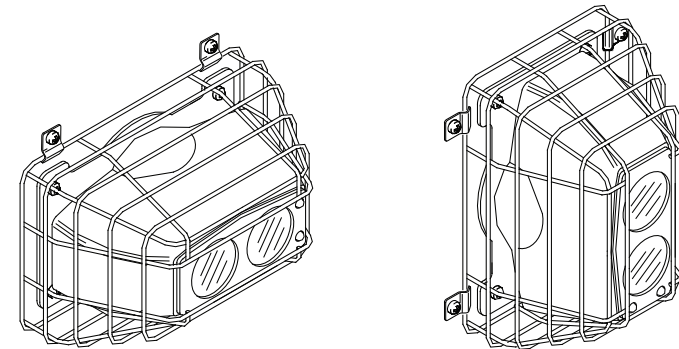
IMPORTANT

Do not attempt to install Beam Smoke wire guard until either the reflective beam smoke detector or both the emitter and receiver have been perfectly aligned according to the beam smoke installation instructions.

INSTALLATION INSTRUCTIONS

1. Center the wire guard over existing unit, making sure cutout in wire guard is positioned over beam lens. Use caution not to hit or bump the detector.
2. Position one clamp. Mark, drill and install one clamp first then complete installation of remaining clamps. See pictorial for size.

Lag Bolts - If lag shields and lag bolts are used, make sure anchor is flush with surface. Position guard, insert lag bolt and tighten. Bolt should be selected to assure full thread engagement in anchor.



CAN BE MOUNTED VERTICALLY OR HORIZONTALLY

Three year warranty or a one year limited warranty (from date of purchase) on most products. See website for details. Electronic warranty form at www.sti-usa.com/wc14.



STI-9623 & STI-9624 BEAM SMOKE DAMAGE STOPPERS®
All specifications and information shown were current as of publication and are subject to change without notice.
9623IS MAR2024



ADDITIONAL WIRE GUARDS AVAILABLE

Visit www.sti-usa.com/w1 for complete details

All dimensions are approximate

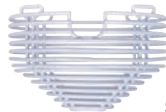
SMOKE DETECTOR GUARDS

STI-9601	8.25 x 2.75"
STI-9601-SS	8.25 x 2.75"
STI-9602	8.25 x 4.25"
STI-9604	7 x 3.25"
STI-9604-SS	7 x 3.25"
STI-9605	7.125 x 4.5"
STI-9605-SS	7.125 x 4.5"
STI-9609	8.25 x 4.6"
STI-9609-SS	8.25 x 4.6"

STI-9610	8.25 x 6"
STI-9701	7 x 2.8"
STI-9712	6.87 x 4.53"
STI-9713	6.87 x 2.50"



STI-9604



STI-9712

BEAM SMOKE DETECTORS

STI-9623	7.75 x 6 x 6"
STI-9624	8.875 x 5.5 x 4.75"
STI-9706	10.82 x 9.32 x 4"
STI-9707	11 x 9.62 x 5.5"
STI-9840	6.61 x 5.78"
STI-9841	11.52 x 10 x 3.58"
STI-9845	6.7 x 9.2 x 4.07"
STI-9846	7.6 x 11.6 x 5.6"



STI-9624

PIR GUARDS

STI-9618	4.62 x 5.37 x 3"
STI-9619	7.75 x 5.37 x 5.62"
STI-9620	6.25 x 4 x 2.25"
STI-9621	7 x 5.75 x 4.50"
STI-9622	8.75 x 4 x 3.75"



STI-9618



STI-9621

CLOCK/BELL WIRE CAGES

STI-9631-R	10.5" Diameter - Red
STI-9635	14.25" Diameter
STI-9636	20.75" Diameter
STI-9637	26.75" Diameter



STI-9636

EXIT SIGN WIRE CAGES

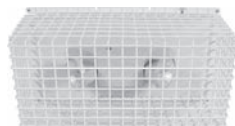
STI-9640	10.5 x 13.75 x 2.75"
STI-9740	15.5 x 20.5 x 6"
STI-9742	15.59 x 16.09 x 3.30"



STI-9640

EMERGENCY LIGHT CAGES

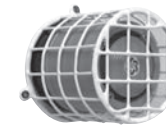
STI-9641	19.7 x 14.6 x 4"
STI-9644	8.7 x 17.7 x 5"
STI-9645	13.8 x 21.7 x 5.9"
STI-9649	10.75 x 24.75 x 11.25"
STI-9703	5 x 13.5 x 4"



STI-9649

BEACON & SOUNDER CAGES

STI-9614	7.9 x 6"
STI-9615	3.7 x 3.5"
STI-9617	5.9 x 4.9"
STI-9664	3.86 x 6.18"
STI-9665	7 x 8.43"
STI-9750	9.6 x 2.8"
STI-9754	8.4 x 9.2 x 3.5"
STI-9760	8.5 x 3.2"
STI-9761	8.5 x 5.7"
STI-9762	6.2 x 4.75 x 2.5"
STI-9763	6.2 x 4.75 x 4"
STI-9764	6.6 x 6 x 2.5"
STI-9765	6.6 x 6 x 4.4"
STI-9766	8.2 x 6.75 x 2.9"
STI-9767	8.2 x 6.75 x 5"



STI-9615



STI-9664

MISCELLANEOUS WIRE CAGES

STI-9705	7.4 x 6.15 x 3.39"	STI-9731	12 x 12 x 8"
STI-9708	7.49 x 6.74 x 6.09"	STI-9732	18 x 15 x 13"
STI-9711	8.26 x 8.26 x 3.54"	STI-9880	10.45 x 62.75 x 6.2"
STI-9714	8.55 x 8.55 x 6.23"	STI-9881	10.45 x 98.25 x 6.2"
STI-9717	6.1 x 9.3 x 2.4"	STI-101075	10 x 10 x (63 to 75)"
STI-9720	6.1 x 9.3 x 4.9"	STI-241416	33.25 x 23.29 x 16"
STI-9729	7 x 7 x 7"	STI-282121	39.06 x 32.01 x 21.29"
STI-9730	12 x 12 x 12"		



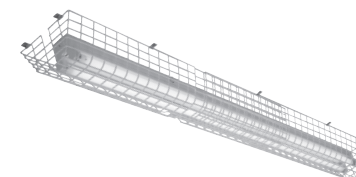
STI-101075



STI-9705



STI-9729



STI-9880