

- 24 Vdc AND 230 Vac SUPPLY VOLTAGE
- 200N HOLDING FORCE
- ZERO RESIDUAL FORCE
- HIGH QUALITY BRIGHT CHROME, LACQUERED BRASS & STAINLESS STEEL FINISHES
- FLUSH OR SURFACE MOUNTING
- MANUAL RELEASE SWITCH
- APPROVED TO EN1155 AND CE MARKED UNDER THE CPR
- IDEAL FOR HOTELS, OFFICES & SIMILAR PRESTIGIOUS INSTALLATIONS



Electromagnetic fire door holders are designed to hold open fire doors in any areas where easy access is essential in relation to the Equality Act, and can be used in conjunction with any fire alarm system. When an alarm is triggered, power to the door holder is cut, allowing the fire door, with its standard closing mechanism, to shut automatically.

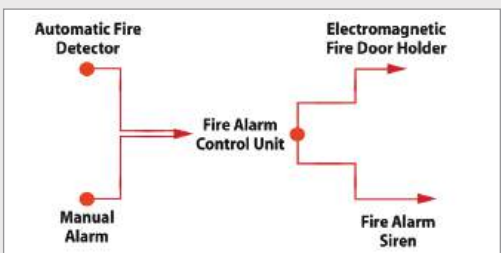
Decorative door holders are available in bright chrome, lacquered brass and stainless steel finishes. They are particularly suitable for use in prestigious installations such as offices, hotels, conference centres.

The keeper plate for the decorative door holder is supplied with a matching surface finish. The magnet is supplied with a standard single gang electrical back box, which enables the unit to be flush mounted. If required, a surface mounting sleeve is available in matching finishes, with two 20mm entry holes and blanking plugs.

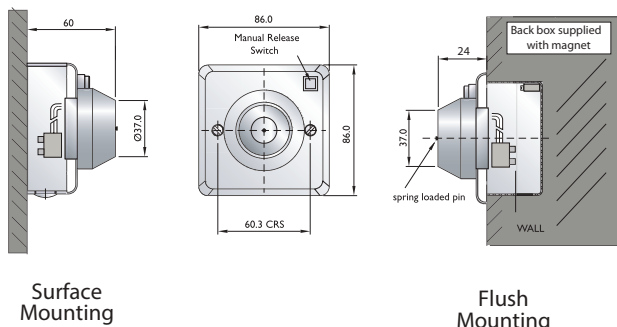
ORDER CODES :	BRIGHT CHROME	LACQUERED BRASS	STAINLESS STEEL
24 Vdc flush mount holder with switch	3-59-0301-C001	3-59-0301-E001	3-59-0301-M001
230 Vac flush mounted door holder	3-59-0302-C001	3-59-0302-E001	3-59-0302-M001
Surface mounting kit	2-34-0424-C091	2-34-0424-E091	2-34-0424-M095

TECHNICAL INFORMATION

Supply voltage	24 Vdc
Axial holding force	200 N (+/- 20%)
Power rating	1-15 W
Residual holding force	Zero
Ambient temp.	0 - 40°C
Surface finish	Bright Chrome, Lacquered Brass, Brushed Stainless Steel
Protection	IP51
Weight	500g



TYPE 59 ASSEMBLY



KEEPER PLATE

