



TRITONE SOUNDER VID COMBINED SOUNDER AND STROBE

A product designed for conventional fire alarm systems, it is an ideal solution for environments that require a discreet but affective device.

Used as an ancillary visual alarm in fire systems; Identifire Tritone Sounder VIDs are suitable for conventional and 2-wire fire systems as well for general alarm and signalling systems.

As with the wider Identifire range, the product is designed to fit any recessed single gang box, giving a flush finish or surface mounted using the Identifire surface box.

Body colours available are Red and White.
Strobe colours available are Red, Clear, Amber, Blue and Green.

In common with all other Identifire products, our Visual Indication Device can be customised with your choice of logo and text in any language*

FEATURES

- Aesthetically appealing design
- Sounder approved by UL to EN 54 Part 3
- Features 4 x 20 mm knockouts for surface and glanded entry

SPECIFICATION

Selectable Output	High: 92-96 dB(A) / Low: 86-90 dB(A)
Current Consumption	14 mA at 24 V dc
Weight	0.06 kg
Operating Temperature	-5°C to +50°C
Material	Fire rated ABS
Operating Voltage	20 - 28 V dc



FLUSH MOUNTED



SURFACE MOUNTED



*Minimum order quantities / setup charge may apply

Identifire product is compatible with 2 wire fire alarm systems.
List of compatible control panels available.





TRITONE SOUNDER VID COMBINED SOUNDER AND STROBE

PART CODE - FLUSH MOUNTED

Part Code	Part Name
10-111ORFA-S**	Identifire Tritone Sounder VID Flush Mount, Red, Amber
10-111ORFB-S**	Identifire Tritone Sounder VID Flush Mount, Red, Blue
10-111ORFG-S**	Identifire Tritone Sounder VID Flush Mount, Red, Green
10-111ORFR-S**	Identifire Tritone Sounder VID Flush Mount, Red, Red
10-111ORFW-S**	Identifire Tritone Sounder VID Flush Mount, Red, White
10-111OWFA-S**	Identifire Tritone Sounder VID Flush Mount, White, Amber
10-111OWFB-S**	Identifire Tritone Sounder VID Flush Mount, White, Blue
10-111OWFG-S**	Identifire Tritone Sounder VID Flush Mount, White, Green
10-111OWFR-S**	Identifire Tritone Sounder VID Flush Mount, White, Red
10-111OWFW-S**	Identifire Tritone Sounder VID Flush Mount, White, White

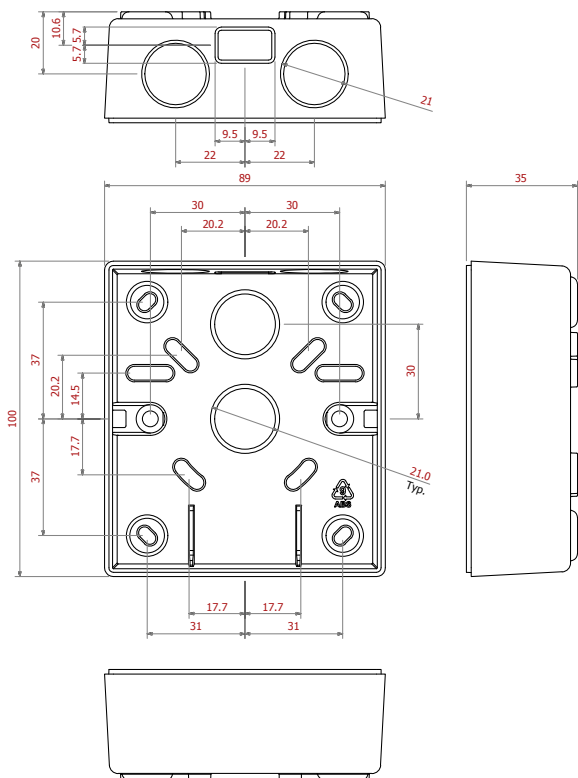
PART CODE - SURFACE MOUNTED

Part Code	Part Name
10-111ORSA-S**	Identifire Tritone Sounder VID Surface Mount, Red, Amber
10-111ORSB-S**	Identifire Tritone Sounder VID Surface Mount, Red, Blue
10-111ORSG-S**	Identifire Tritone Sounder VID Surface Mount, Red, Green
10-111ORSR-S**	Identifire Tritone Sounder VID Surface Mount, Red, Red
10-111ORSW-S**	Identifire Tritone Sounder VID Surface Mount, Red, White
10-111OWSA-S**	Identifire Tritone Sounder VID Surface Mount, White, Amber
10-111OWSB-S**	Identifire Tritone Sounder VID Surface Mount, White, Blue
10-111OWSG-S**	Identifire Tritone Sounder VID Surface Mount, White, Green
10-111OWSR-S**	Identifire Tritone Sounder VID Surface Mount, White, Red
10-111OWSW-S**	Identifire Tritone Sounder VID Surface Mount, White, White

** '-S' denotes single packed and boxed units. Multi packs available on request.

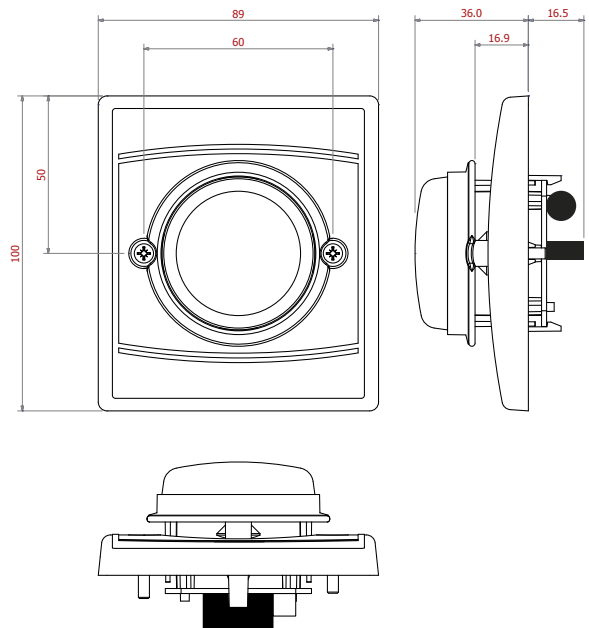
TECHNICAL DRAWING

BACK BOX



TRITONE SOUNDER VID

Dimensions: mm



DS/3700045/ISS 3

We reserve the right to change or amend any design or specification in line with our policy of continuing development and improvement.

Vimpex LTD
 Star Lane, Great Wakering,
 Essex SS3 0PJ, UK
 t. +44 (0) 1702 216999
 e. sales@vimpex.co.uk
www.vimpex.co.uk

Vimpex Interguard AB
 t. +46 (0) 36 37 10 65
 e. sales@vimpex.se



Quality System Certificate No. 456
 Assessed to ISO 9001