

Horizon Range

2, 4 & 8 Zone Conventional Fire Alarm Control Panels

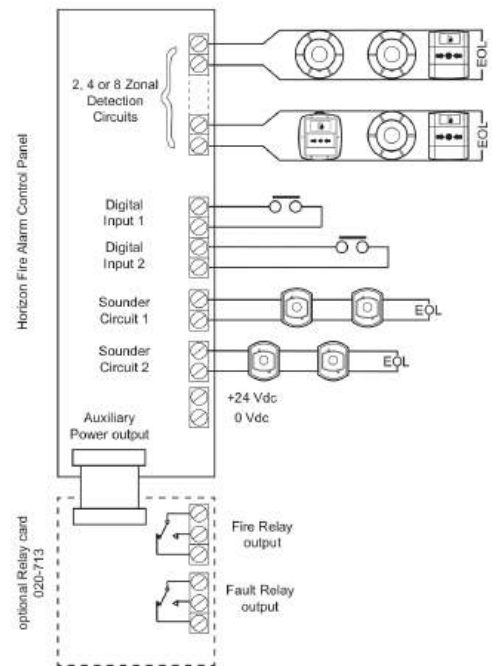
The Horizon series of conventional control panels has been developed to provide a simple and reliable solution to the demands of today's fire detection solutions.

The Horizon range has been designed with both installer and end users requirements in mind.

For installers, Horizon offers an out of the box and on the wall solution. A combination of quick installation, an enhanced feature set and advanced programming allows installers to quickly and simply meet the demands of the user. Equipped with configurable class change inputs, coincidence detection, programmable delays to allow alarm verification and the facility to interface to larger house alarm systems. For end users, clear visible indications, easy to operate functions and a big red key to activate the control buttons, make for simple and unambiguous operation.

Engineered and built to the same high standard as all Morley-IAS control panels, the Horizon system forms an essential part of any fire alarm solution.

The Horizon series of conventional control panels has been designed for use in small to medium commercial environments. It is specially suitable for Garages, Retail Units, Shops, Restaurants, Doctor's Surgeries, Public Offices and Nursery Schools.



KEY FEATURES

- Simple, user friendly design
- Simple to install
- Intuitive to use
- 2, 4 or 8 Zones
- Walk test
- Enhanced feature set
- Multilingual text inserts
- Designed to comply with EN54 part 2 and part 4

2, 4 & 8 Zone Conventional Fire Alarm Control Panels

Technical Specifications

MECHANICAL	
DIMENSIONS (H X W X D)	318 x 356 x 96 mm
WEIGHT	2 Kg (approx, no batteries fitted)
CONSTRUCTION	Fire retardant, ABS plastic moulded enclosure, sealed to IP30
CABLE ENTRY	18 x 20mm knockouts in top of enclosure
	25 x 50 mm knockout in rear of enclosure
OPERATING TEMPERATURE	+5°C to +45°C
RELATIVE HUMIDITY	5% to 95% non condensing
ELECTRICAL	
OPERATING VOLTAGE	230 Vac 50/60 Hz (±15%)
INTERNAL POWER SUPPLY	Output voltage +18.5 to +28.5 Vdc
	Output Current 1.8 Amps maximum Maximum Alarm load: 1 Amp
STANDBY BATTERIES	Minimum capacity 2 x 12 V 2.8Ah
	Maximum capacity 2 x 12 V 7 Ah
STANDBY BATTERY TYPE	Sealed lead acid
DETECTION CIRCUITS	2, 4 or 8 detection circuits
	2 mA per circuit (typically >20 detectors)
APPROVED DETECTORS	Apollo Series 60, Series 65 & Orbis
	Morley-IAS Horizon HRZ Series
	System Sensor ECO1000 & Series 300
DIGITAL INPUTS	22 configurable inputs (Class Change, Alert, Evacuate, Reset)
DIGITAL INPUT TRIGGER	Extended closing contact
EXTERNAL OUTPUTS	Sounder Outputs:
	2 monitored outputs
	0.5 Amps per circuit
	Auxiliary Output:
	+18.5 to +28.5 Vdc, 0.5 Amp. (max)

PART NUMBERS	
DESCRIPTION	ORDER CODES
HORIZON HRZ2E 2 ZONE FIRE ALARM CONTROL PANEL. C/W FIRE & FAULT RELAY (020-713)	002-492-222
HORIZON HRZ4E 4 ZONE FIRE ALARM CONTROL PANEL. C/W FIRE & FAULT RELAY (020-713)	002-492-242
HORIZON HRZ8E 8 ZONE FIRE ALARM CONTROL PANEL. C/W FIRE & FAULT RELAY (020-713)	002-492-282
HORIZON RELAY KIT. (FIRE & FAULT RELAYS) SUITABLE FOR USE WITH 002-506-222/242/282	020-713
8 WAY INPUT/OUTPUT CARD	020-747
SPARE RED CONTROLS KEY (PACK OF 10)	020-865
CAPACITOR KIT FOR DETECTORS NOT COMPATIBLE WITH CAPACITIVE EOC MONITORING	020-743
SPARE INSTALLATION KIT	020-745-008
ACTIVE END OF LINE KIT FOR NON ADDRESSABLE PANELS	020-417
4 WAY SOUNDER OUTPUT CARD	020-772

For more information

www.morley-ias.co.uk

Honeywell Morley IAS

Caburn House
2B Brooks Road
Lewes, E. Sussex
BN7 2BY UK

T: +44 (0) 1273 897 000
F: +44 (0) 1273 376 894
E: sales@morleyias.co.uk

For further details on these or any other Morley-IAS products please contact your local distributor, Morley-IAS Business Manager or via our contact details found below. Morley-IAS - Providing a control panel solution, for fire industry professionals, committed to supporting our device partners.*

*Please contact us for full compatibility details of supported third party devices.

